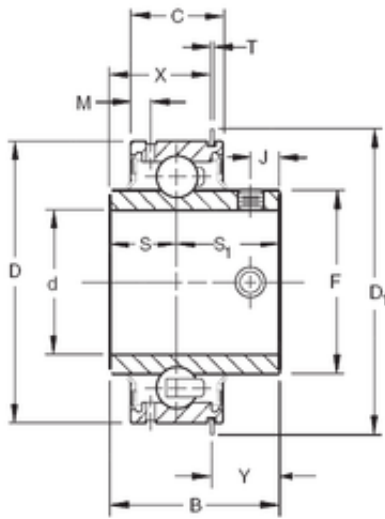




## Jinan Focor Machinery Co., Ltd.



### 44,45 mm x 85 mm x 49,21 mm TIMKEN ER28 Insert Bearings Cylindrical OD

Bearing No. ER28

Size	44.45x85x49.21 mm
Bore Diameter	44,45 mm
Outer Diameter	85 mm
Width	49,21 mm
d	44,45 mm
D	85 mm
B	49,21 mm
C	27,78 mm
Y	21,16 mm
S1	30,16 mm
X	28,07 mm
D1	91,3 mm
F	57,94 mm
J	7,94 mm
M	6,35 mm
S	19,05 mm
T	1,6 mm
Thread (G)	M8X1,25

ER28 Bearing 2D drawings and 3D CAD models